

# AVC **NPTZ21X23L**

---

## **QUICK** START GUIDE

2MP MINI PTZ DOME NETWORK CAMERA

# TABLE OF CONTENTS

- Package Contents..... 1
- Caution..... 1
- System Requirements..... 1
- Hardware Overview..... 2
  - 12x Mini (PoE) PTZ Dome Network Camera.....2
  - Camera Installation.....3
- How to perform a Hardware Reset.....8
- How to Connect to Alarm Interface..... 8
- How to Connect the Waterproof Connector..... 9
- Accessing the Network Camera..... 10

Thank you for purchasing this AVYCON IP Network Camera. This guide provides basic instructions on installing and accessing this IP Network Camera. For more details, please refer to the User Manual.

## Package Contents

Before installation, please verify that all the necessary items are supplied in the box as the package contents listed below. If any item is missing or damaged, please contact the shipper and your Avycon Sales Representative.

	ITEMS	QUANTITY	DESCRIPTION
<b>DEFAULT</b>	Avycon Network Camera	1 Pc	The purchased model
	Power Adapter	1 Pc	DC 12V (Optional for part of devices)
	Quick Start Guide	1 Pc	Printed material
	Warranty Card	1 Pc	Printed material
<b>OPTIONAL</b>	Lens		If purchased
	Bracket & Screw Pack		If purchased

## Caution

- \* Make sure the device is firmly fixed when mounting it on the wall or ceiling
- \* Make sure that the power supply voltage is correct before using the camera
- \* Do not use a 3rd party Power Adapter
- \* Never attempt to disassemble or modify the camera

## System Requirements

**OPERATING SYSTEM:** Windows XP / Vista / 7 / 8 / 10 / Server 2000 / Server 2008

**CPU:** 1.66 Ghz or Higher

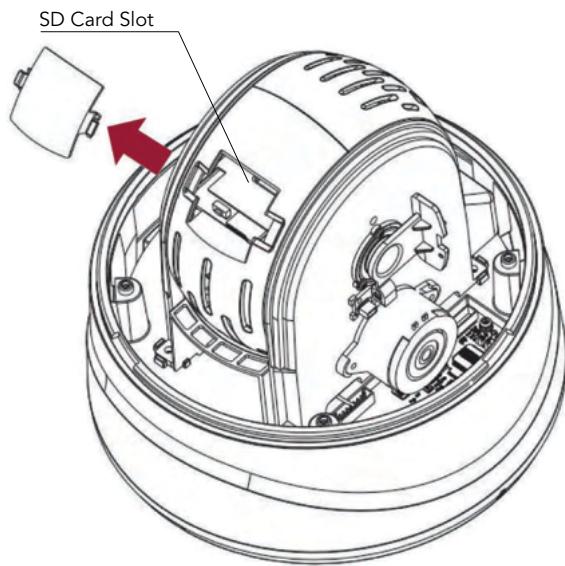
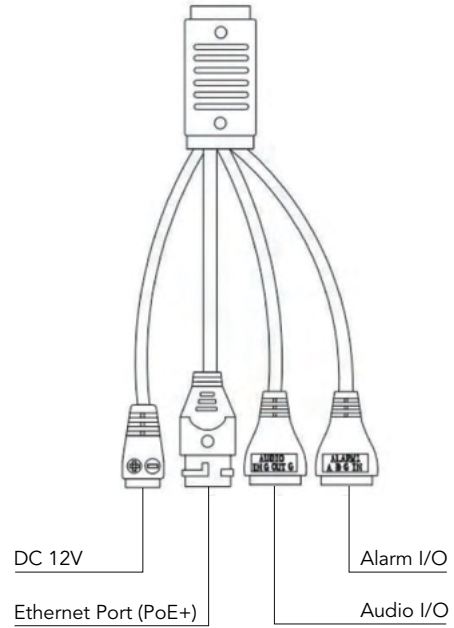
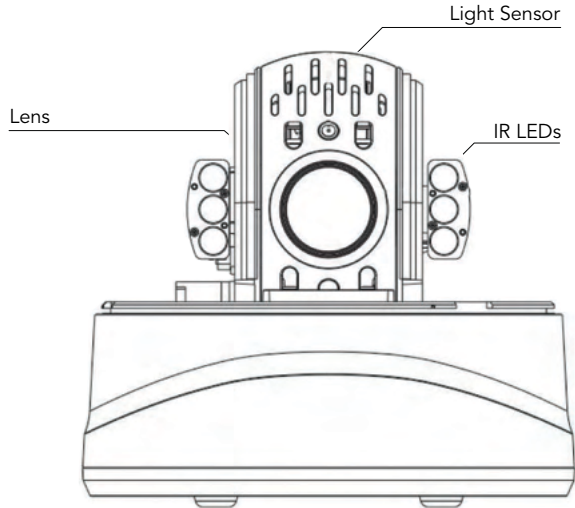
**RAM:** 1G or Higher

**Graphic Memory:** 128MB or more

**Internet Protocol:** TCP / IP (IPv4 / IPv6)

# Hardware Overview

AVC-NPTZ21X23L



**NOTE:** 1) Reset Button: Hold "Reset" button for 5 seconds, and the device will be restored to factory default  
2) DC 12V & PoE (802.3at) are available for Mini PoE PTZ Dome Power Supply.

# Camera Installation - Install with Mounting Bracket

AVC-NPTZ21X23L

1. Take the cables out from the side of the PTZ Dome Camera; if needed, loosen the screws on the bottom of the camera.

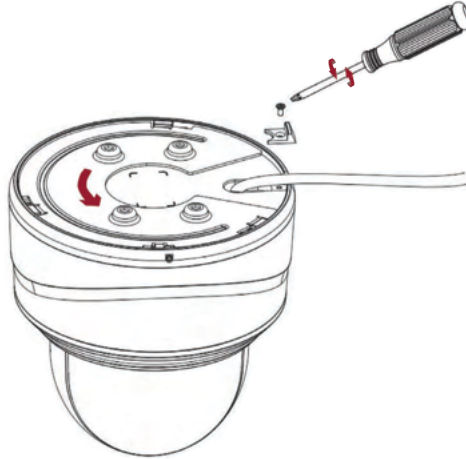
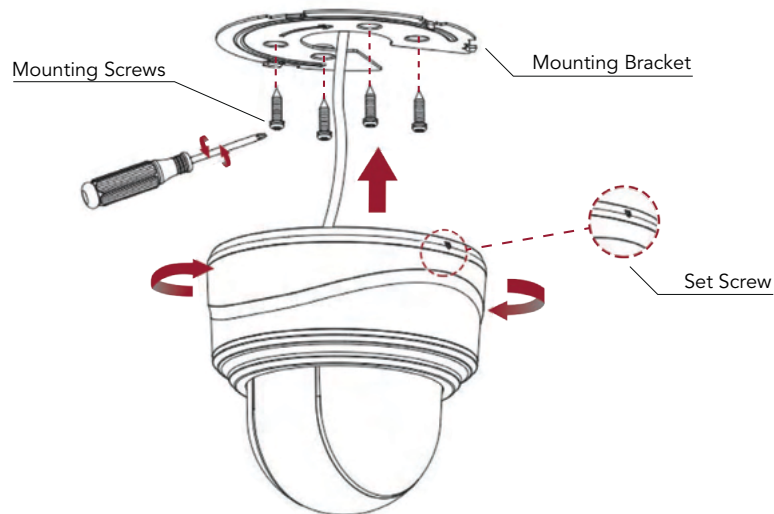


DIAGRAM 1

**DIAGRAM 1:** Before starting the mounting process, make sure that the surface you want to mount the camera onto is able to bear weight 8x heavier than the camera's and won't flake in process.

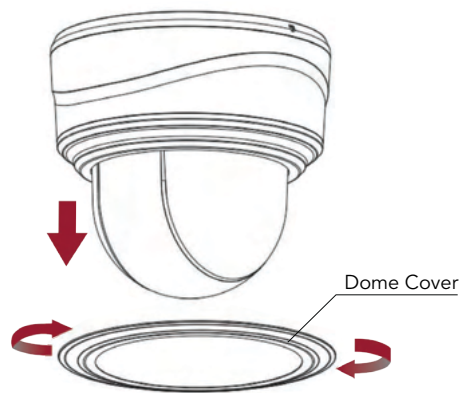
2. Fix the mounting bracket onto the surface where camera is to be mounted. Using the included screws or appropriate mounting screws, fix the bracket in. Next, connect all necessary cables. Finally, rotate and secure camera onto the mounting bracket and tighten the set screw when the camera is in position.



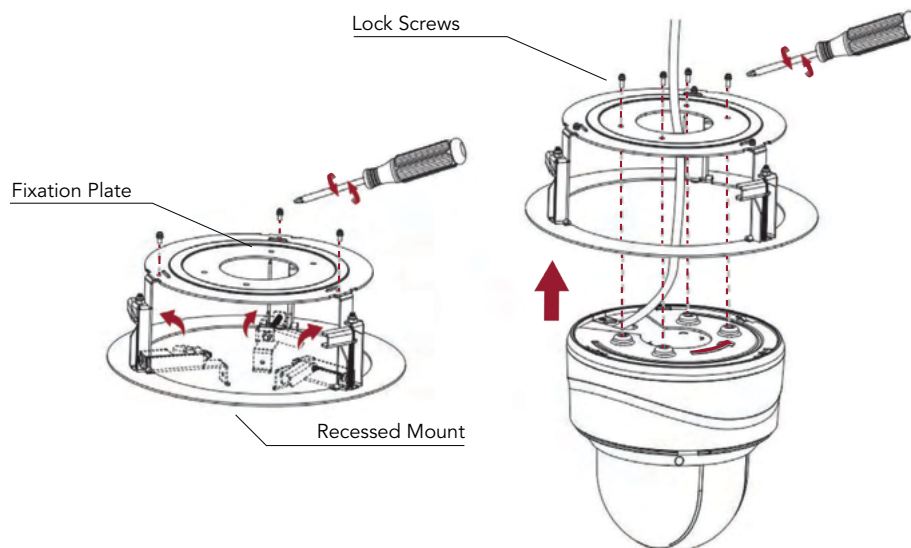
# Camera Installation - Install with Recessed Mount

AVC-NPTZ21X23L

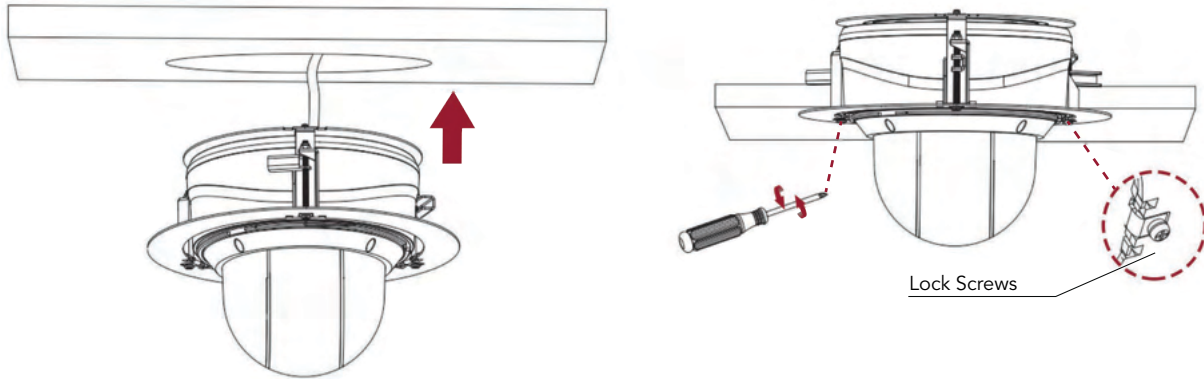
1. Ensure that the thickness of the ceiling is less than 30mm then drill a round hole with a diameter of 220mm. Hold the camera and turn the dome cover clockwise to take it off.



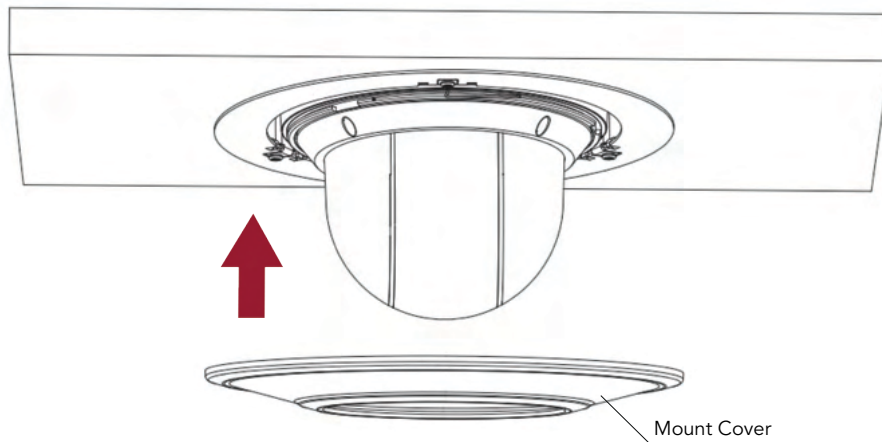
2. Assemble the recessed mount by taking the support plate up and screwing the fixation plate onto the support. Then position the camera onto the recessed mount and set the screws in.



- Place the camera with the recessed mount attached through the drilled hole until fitted properly. Using mounting screws, attach the camera securely to the ceiling.



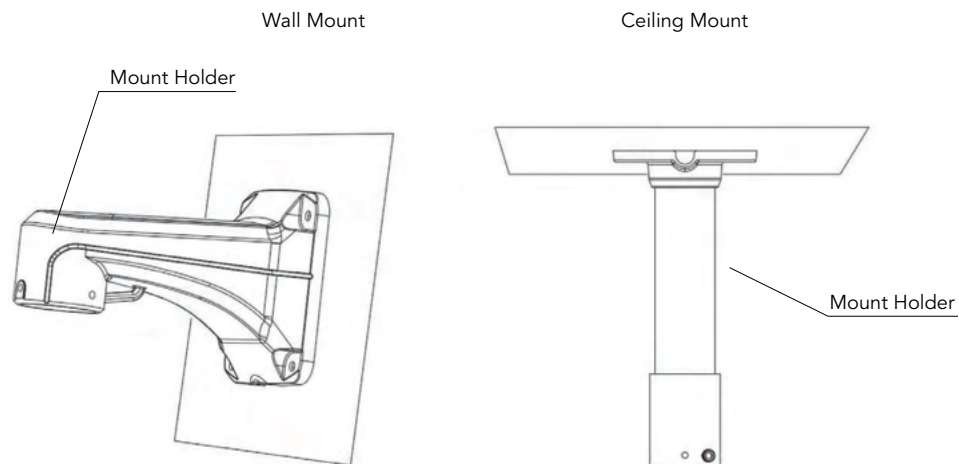
- Attach the cover of the recessed mount and installation is completed.



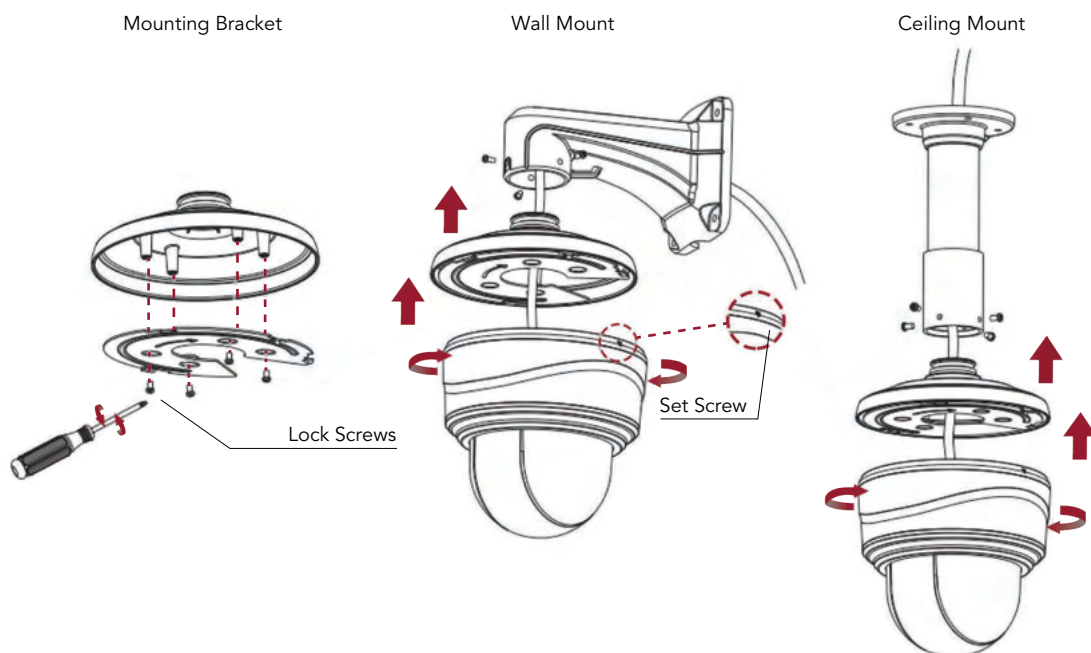
# Camera Installation - Install with Wall or Pendant Mount

AVC-NPTZ21X23L

1. Use the mount holder to position a spot on the surface to mark hole locations. Drill 4 holes into the surface that matches the positioning of the holder.

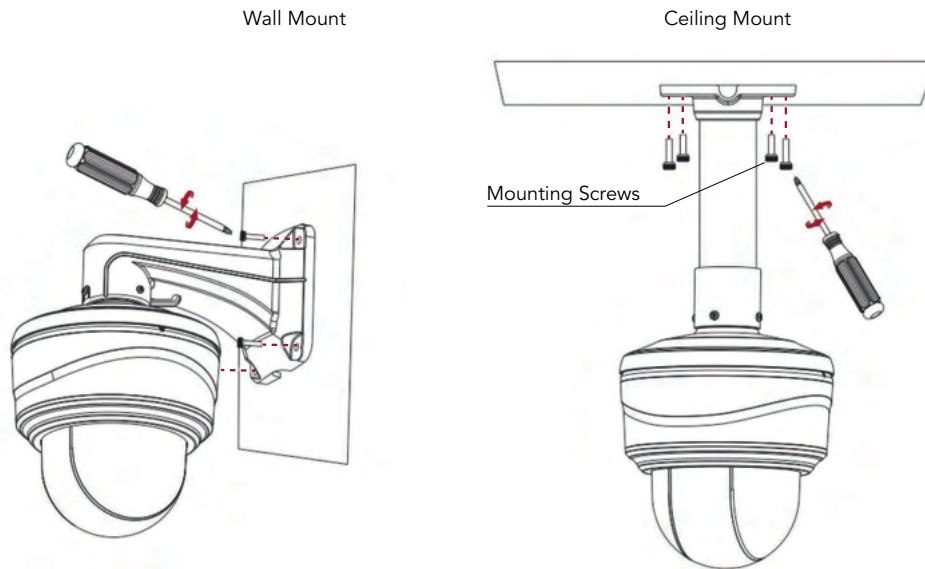


2. Set up the mounting brackets by screwing the fixation plate on top of the mount. Screw the bracket onto the holder. Next, run the cables through the bracket and holder and connect all necessary cables. Finally, rotate and secure camera onto the mounting bracket and tighten the set screw when the camera is in position.

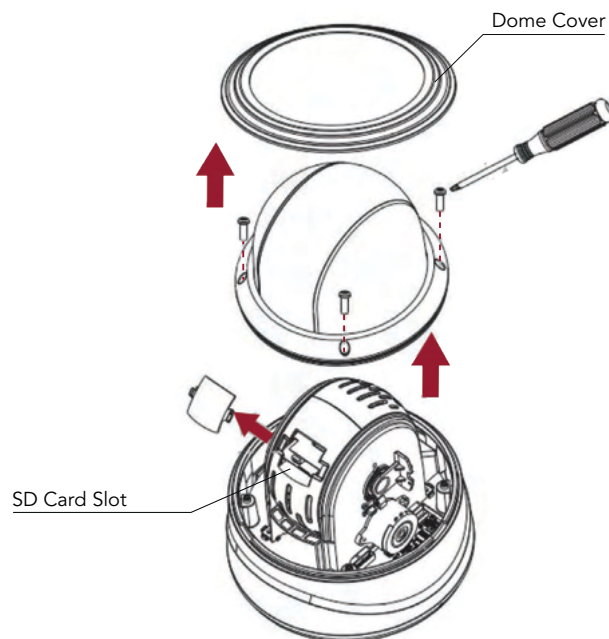




3. Position the holders to the location that you've drilled into the surface and tighten the mounting screws in once you have secured the camera.



4. Loosen the screws of the dome cover to take it off. IF necessary, loosen the screws on the dome camera body to access the SD Card slot.



# How to perform a Hardware Reset

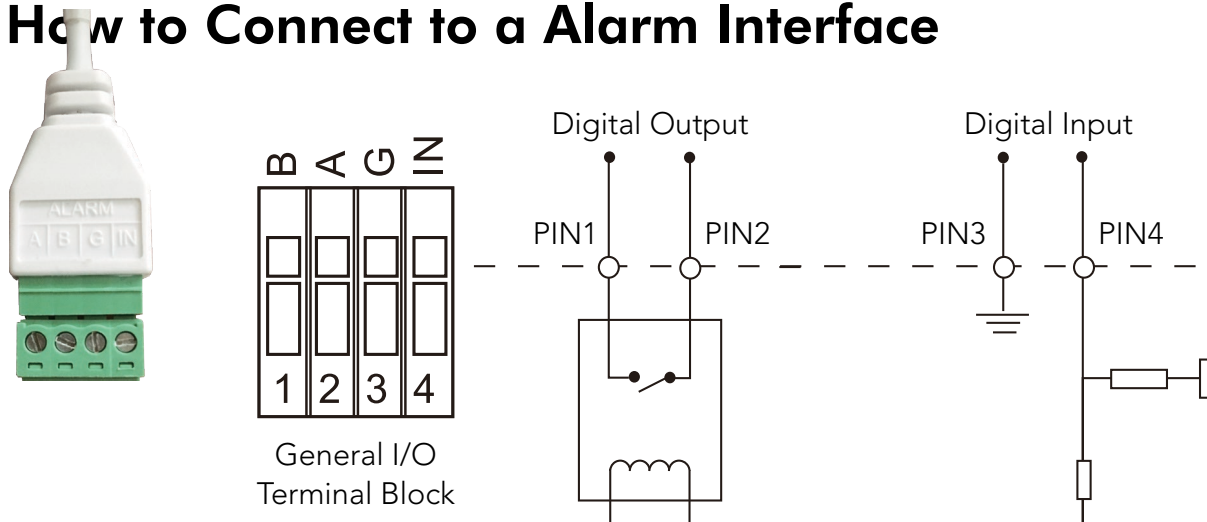
1. While power is off, press and hold reset button, then power on the camera and the IR LEDs will begin to flash.
2. There are 2 hardware models of our camera. Please follow instructions for the proper models below:

Model - A: Keep holding button until the LEDs stop flashing;

Model - B: Keep holding button until the IR LEDs stay on;

3. Release the reset button and the camera will begin the reset process, which should take 1-3 minutes to complete. After the reset process is complete, the camera will have an IP address of 192.168.10.201. If you find that the IP address has not changed, please repeat process from Step 1.
4. If needed, modify the IP address of the camera using the Tools utility.

# How to Connect to a Alarm Interface

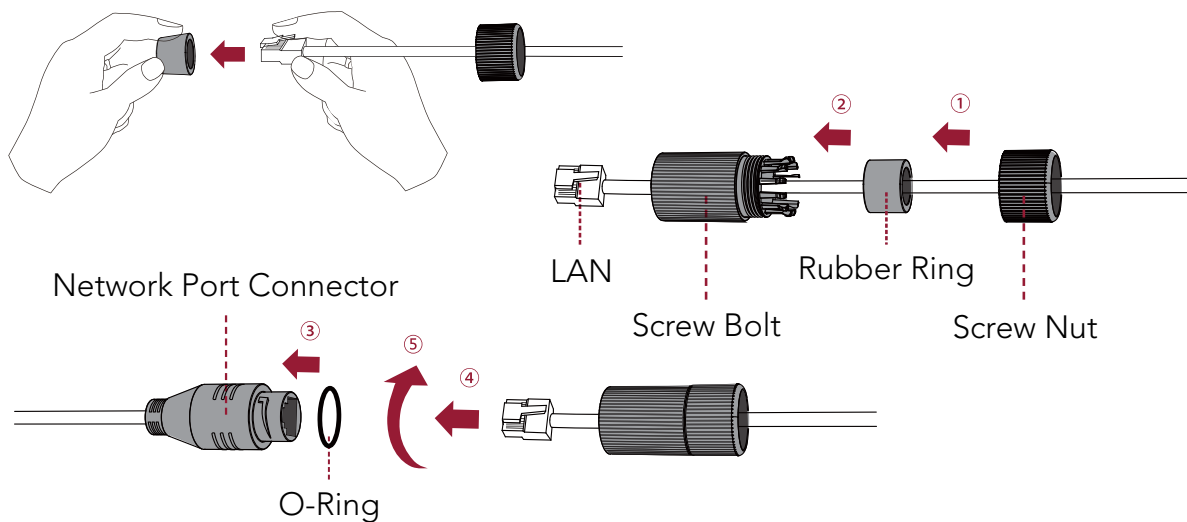


- PIN1: Alarm Output NC / NO 24V DC 1A
- PIN2: Alarm Output NC / NO 24V DC 1A
- PIN3: Alarm Input NC / NO  $\leq 12V$
- PIN4: Alarm Input NC / NO  $\leq 12V$

# How to Connect the Waterproof Connector

1. Insert network cable through the screw nut, rubber ring and the screw bolt.
2. Insert the rubber ring into the screw bolt;
3. Connect the screw nut to the screw bolt;
4. Place the O-Ring on the network port connector;
5. Connect the RJ45 to the network port connector, tighten the screw bolt and the connector.

**NOTE:** If placed in an extremely wet environment, for added protection you can wrap the connector in electrical tape to prevent standing water to accumulate on connector.



# Accessing the Network Camera

In order to access the camera on your network, you must assign it an IP address compatible with your network configuration.

## Assigning an IP Address

In order to access the camera on your network, you must assign it an IP address compatible with your network configuration. The default address of this camera is 192.168.10.201. You can either change the IP address of a camera using the Tools Utility or manually assign your computer an address to communicate with the camera and log in using the browser to modify the IP address.

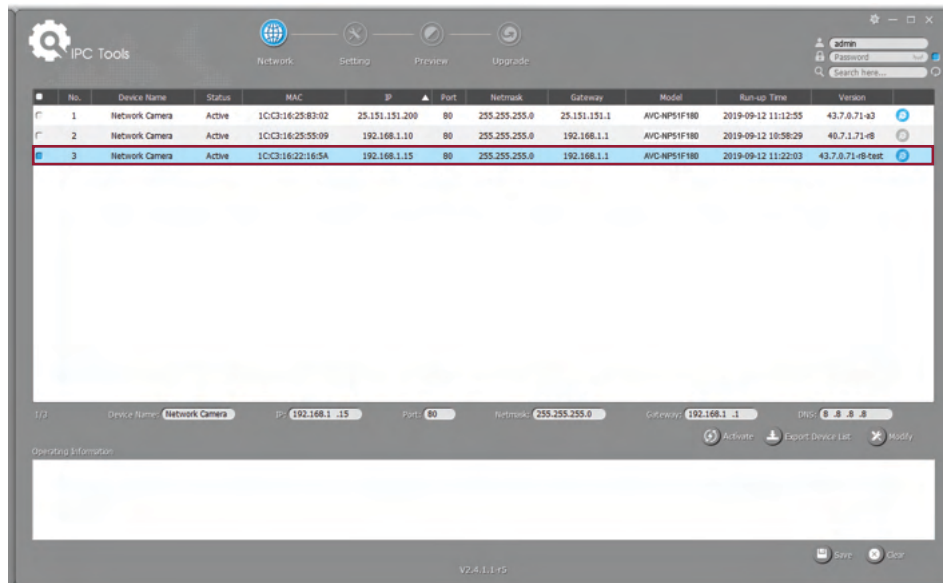
## Assigning an IP Address by Using Tools Utility

The Tools utility is a software tool which can automatically detect AVYCON IP cameras on your LAN, modify IP addresses, and manage firmware upgrades. It's recommended to use when assigning IP addresses for multiple cameras.

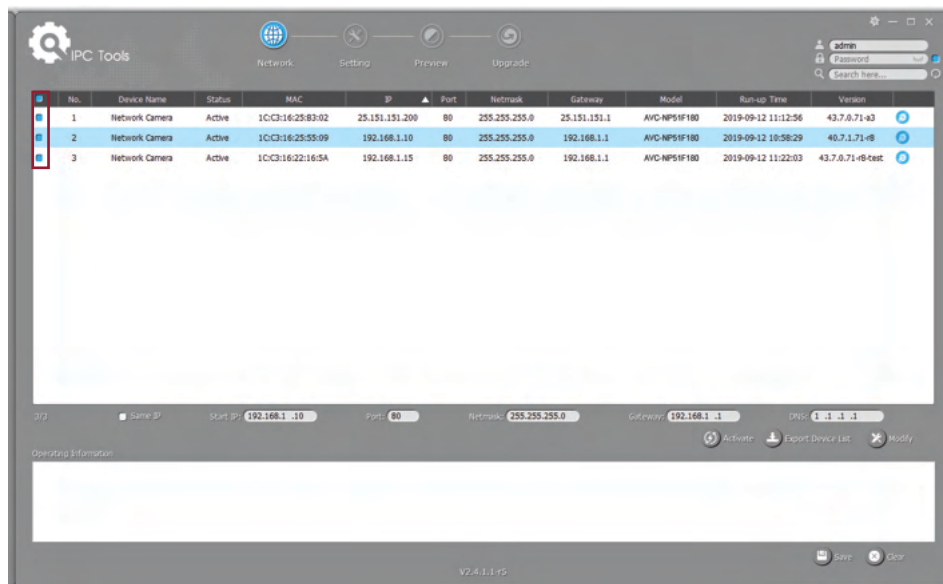
1. Install the Tools utility (This can be downloaded from our website)
2. Start Tools, then click the IPC Tools icon, and then all AVYCON IP cameras on the local network you are connected to will be shown with information such as IP address, MAC address, Status, Port number, Netmask, and Gateway.



3. Select a camera or multiple cameras according to the MAC addresses; the camera must be assigned an IP address to be accessible.

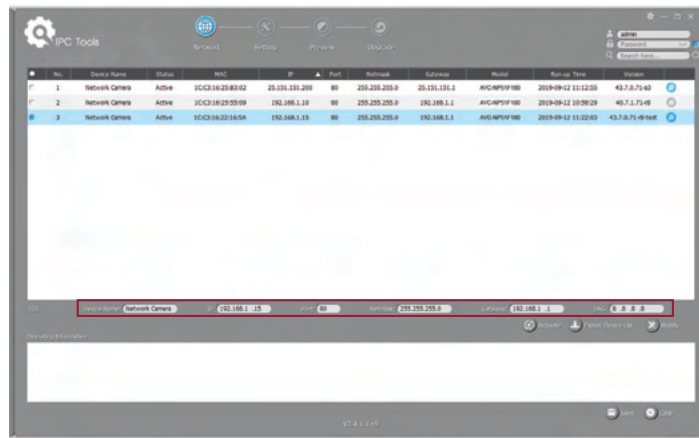



### SELECT SINGLE CAMERA



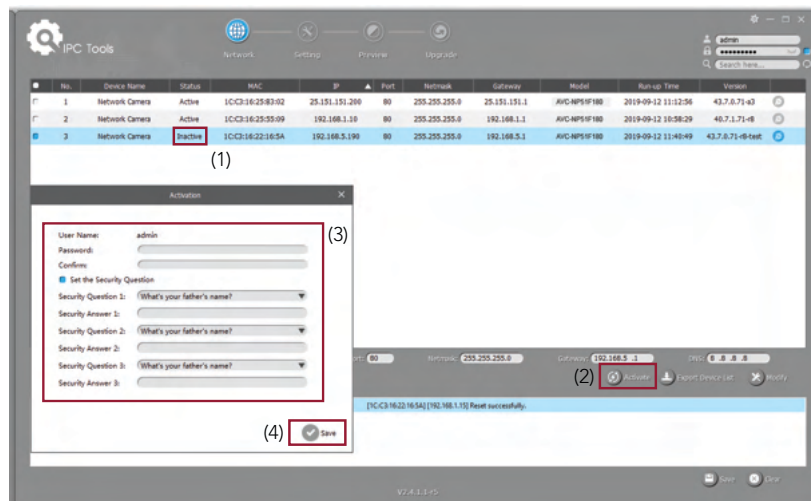
### SELECT MULTIPLE CAMERAS

4. If the selected camera shows "Active" in the status bar, you can directly type the User Name and Password you have previously assigned and then make any modifications to the IP address and click on Modify.

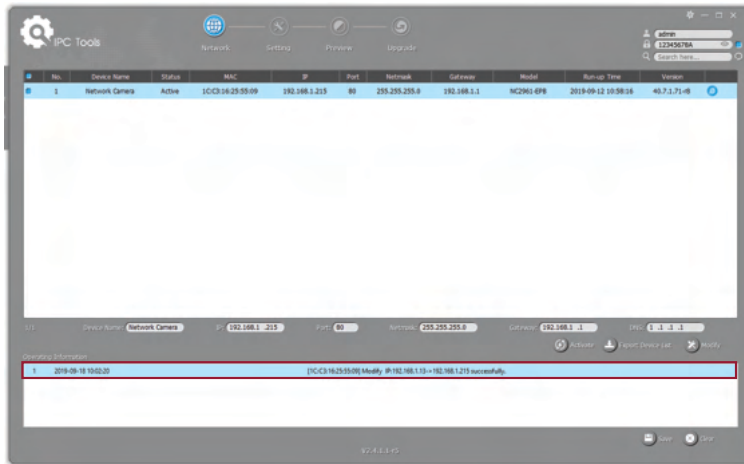


If the selected camera shows "Inactive" in the status bar (Camera with version V4x.7.0.69 or above), click  to set the password when using it for the first time. You can also set the security questions when activating the camera in case that you forget the password (You can reset the password by answering three security questions correctly). Click 'Save' and it will show that the activation was successful.

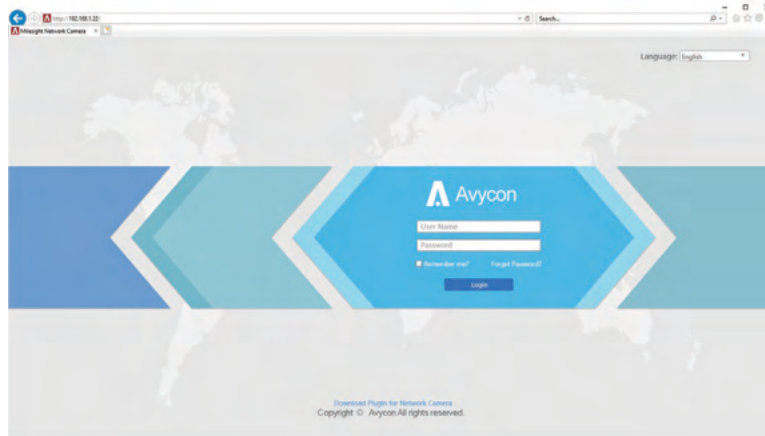
**NOTE:** (1) Password must be 8 to 32 characters long, contain at least one number and one letter.  
 (2) You need to be using Tools version V2.4.0.1 or above to activate the camera.



5. After activation, you can change the IP address or other network values, and then click "Modify" button to change the IP address successfully;



6. By double clicking on the selected camera's row or the browser icon of the camera, you can access the camera via a web browser directly with the browser window that will pop up.

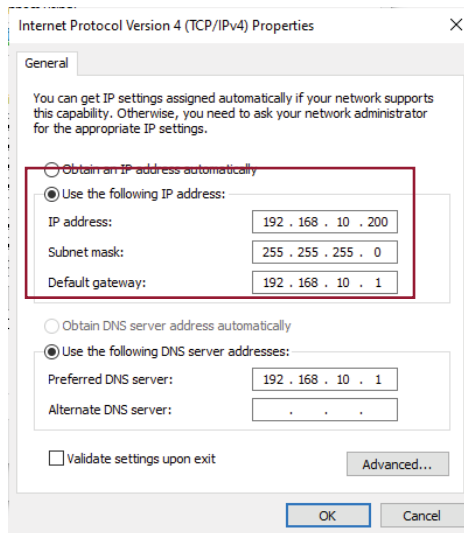


## Assigning an IP Address via Browser

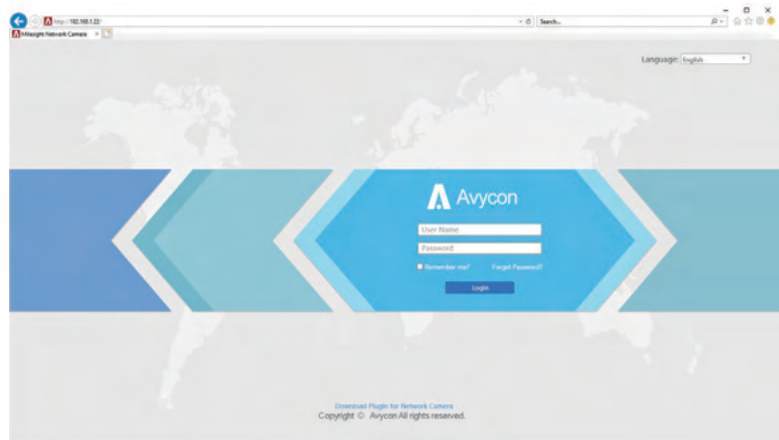
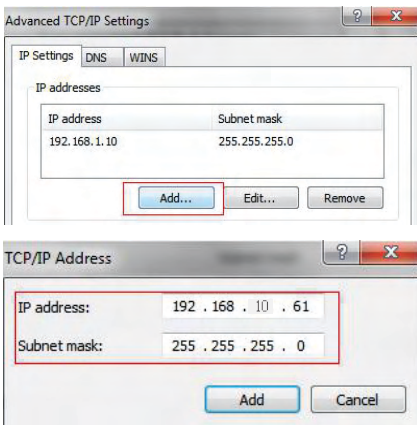
If the network segment of the computer and that of the camera are different, please follow the steps to change the IP address:

1. Change the IP address of computer to 192.168.10.0 segment, here are two ways as below:

A. Start > Control Panel > Network and Internet Connection > Network Connection > Local Area Connection, and double click it.



B. Click "Advanced", and then click "IP settings" > "IP address" > "Add". In the pop-up window, enter an IP address that is in the same segment with your Avycon IP camera (e.g. 192.168.10.200, but please confirm that the IP address you pick does not conflict with another address on the network);

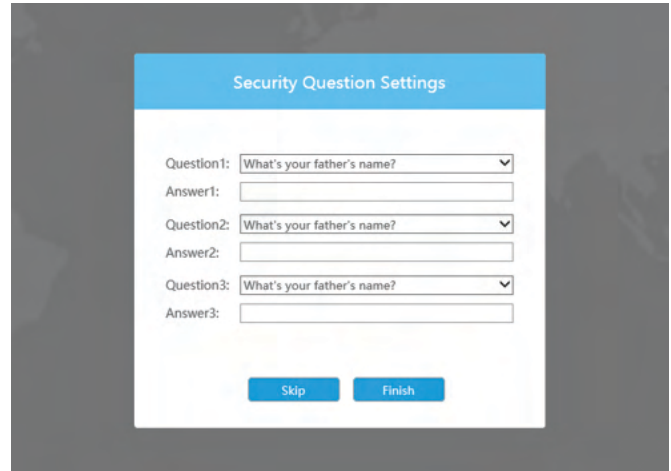
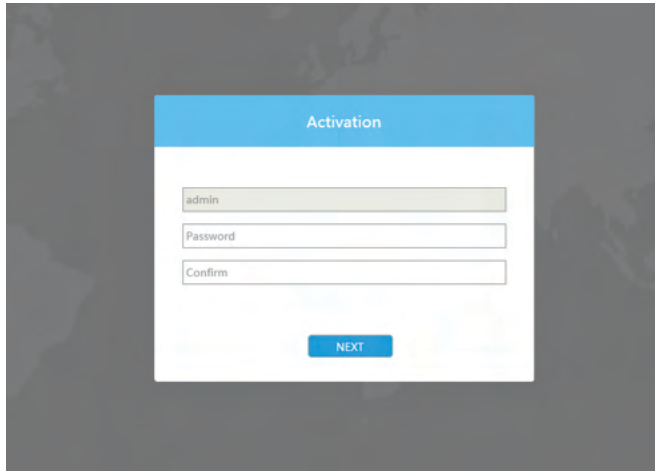


2. Start your web browser. In the address bar, enter the default IP address of the camera:  
<http://192.168.10.201>;



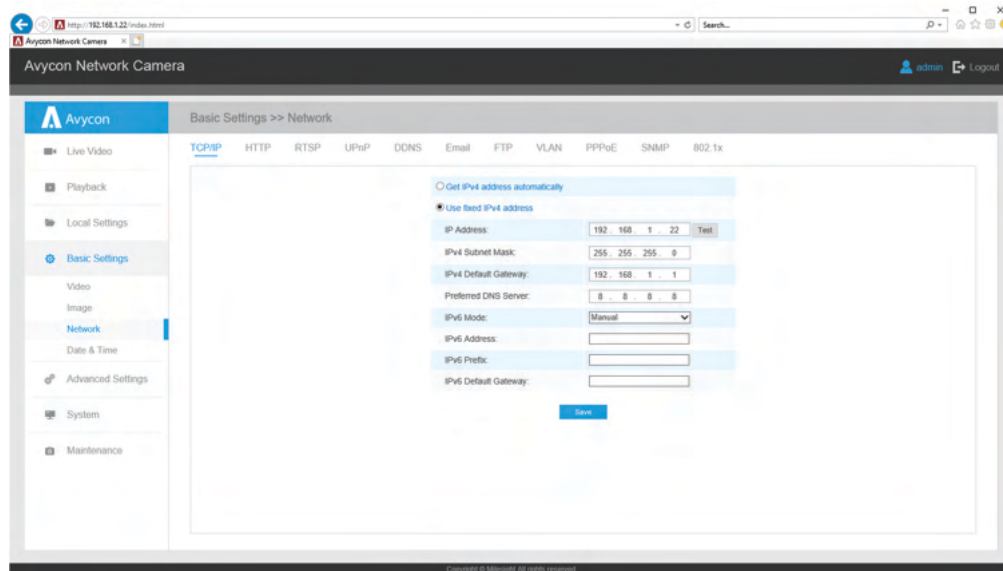
If this is the first time you are logging into the camera, you need to set a password first.

If wanted, you can also set three security questions for your device after activation. You can now use this password to log into the camera.



**NOTE:** 1. Password must be 8 to 32 characters long, contain at least one number and one letter.

2. You can click the "forget password" in login page to reset the password by answering three security questions when you forget the password, if you set the security questions in advance.



4. After login, please select "Configuration" > "Basic Settings" > "Network" > "TCP/IP".

The Network Settings page appears (Shown as below Figure);

5. Change the IP address or other network values as need, then click on the "Save" button;
6. You should now have completed changing the default IP address.

## Accessing from the Web Browser

The camera can be used with the most standard operating systems and browsers.

The recommended browsers are Internet Explorer, Firefox, Chrome, Safari.

## Accessing over IE Browser

Before using the browser to get access to your camera, you may need to install the MsActiveX plugin first. Please refer to the steps below:

1. Launch Internet Explorer and enter the IP address of the camera: e.g. 192.168.10.201
2. If this is the first time accessing the camera, you will be prompted to create a password, and also the option to set three security questions for your device after activation. After assigning the new password, you can now log into camera with these new credentials.

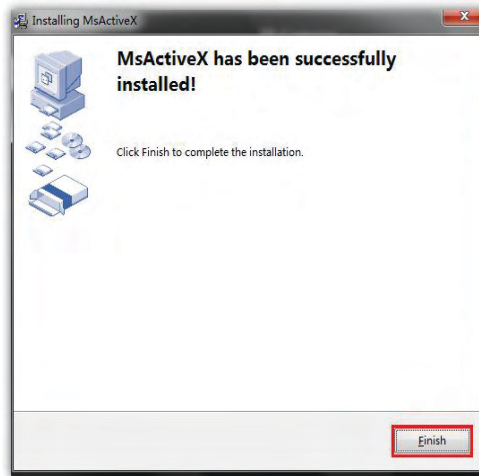
**NOTE:** 1. Password must be 8 to 32 characters long, contain at least one number and one letter.

2. You can click on "Forget Password" on the login page to reset your password by answering the three security questions you assigned during activation.

3. If this is the first time logging into your IP camera, the browser will prompt you to install the plugin. Please click on link that the window displays to start the download.

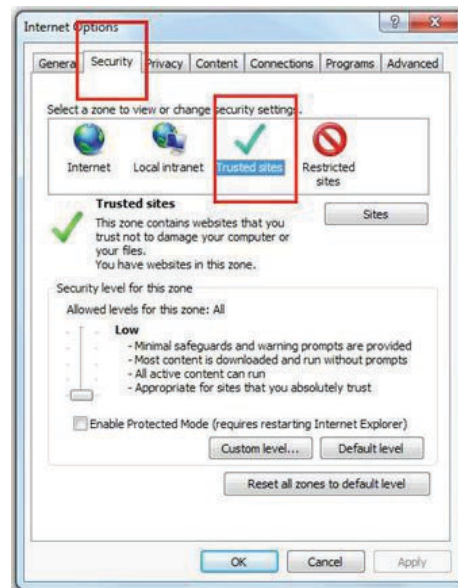
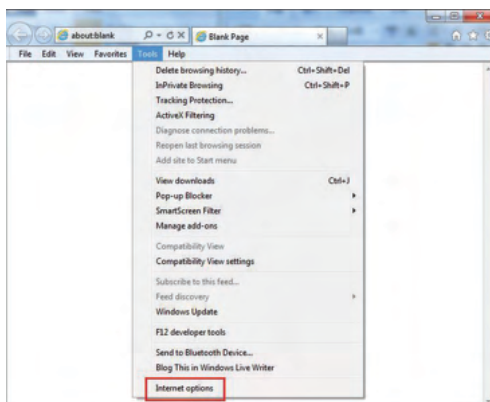
[Click here to download and install controls manually](#)

4. Follow the prompts to install the plugin and when finished, you will see the window below  
After the plugin has successfully installed, you can refresh the browser and you should be able to see video.

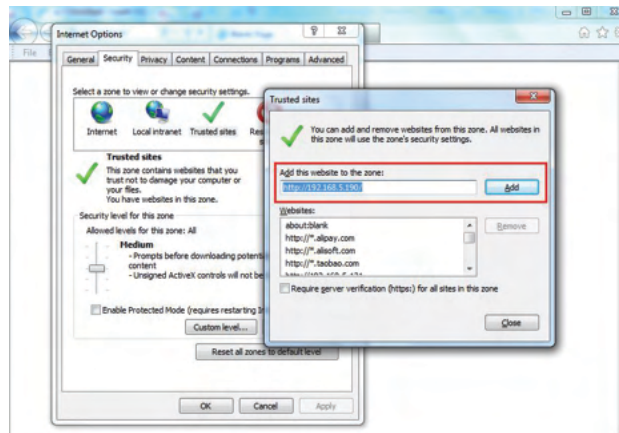


If IE9 or higher version browser is used, it is suggested that the Avycon camera web link should be added as a trusted site. See the instructions as follows:

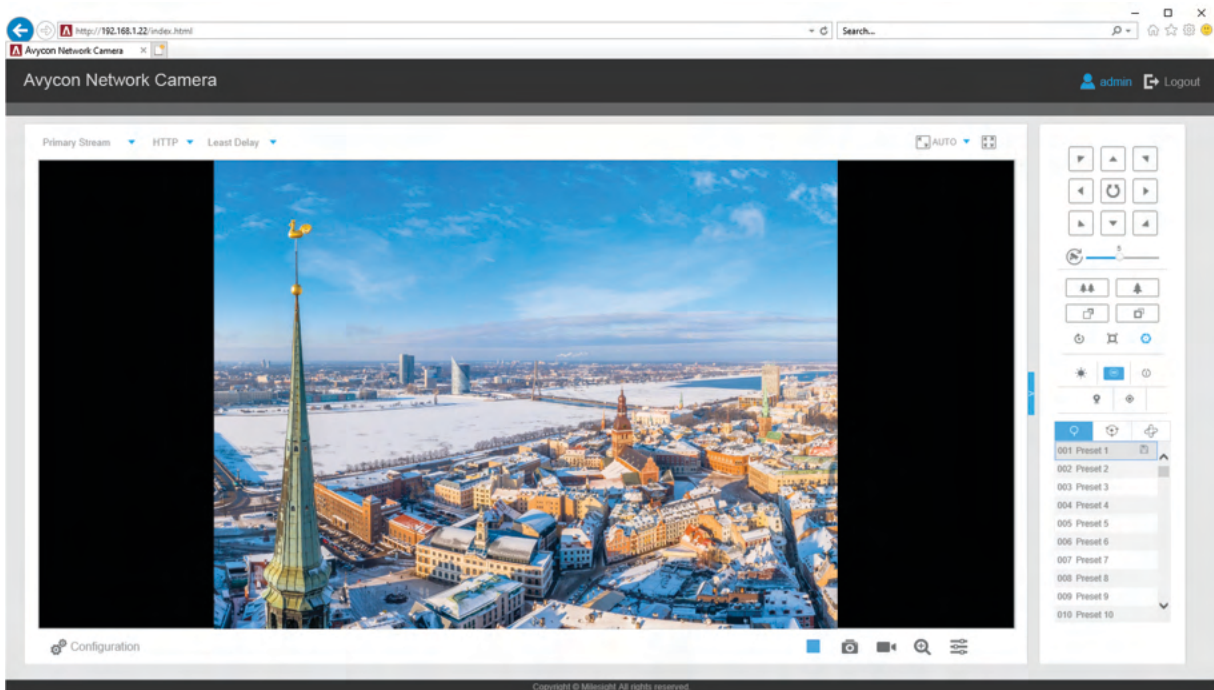
1. Start the IE9 or higher version browser, and select "Tools" > "Internet Options";
2. Select Security, then click on "Trusted Sites"



3. Enter the IP address of the camera in the blank and click "Add";



4. Enter the IP address into your browser's address bar. After logging into your AVYCON IP camera successfully, you should see live video.



**AVYCON**<sup>®</sup>



**AVYCON**<sup>®</sup>

Copyright © AVYCON. All rights reserved. Specifications and pricing are subject to change without notice.

**phone:** 949-752-7606  
**email:** [info@avycon.com](mailto:info@avycon.com)  
**social:** [@avycon\\_aivo](#)  
**website:** [avycon.com](http://avycon.com)